



The best pumping solutions for your sanitary processes

QTS Series New Twin screw pump






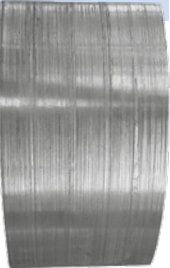
The Ultimate Solution in
Positive Displacement



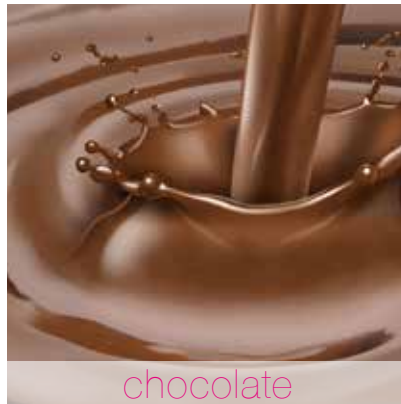
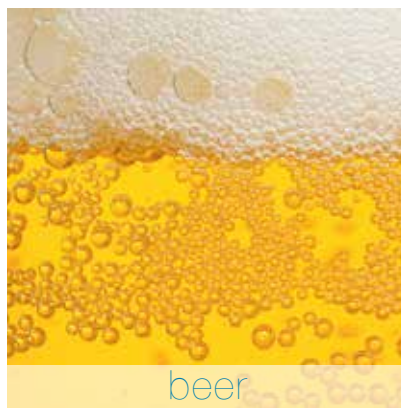
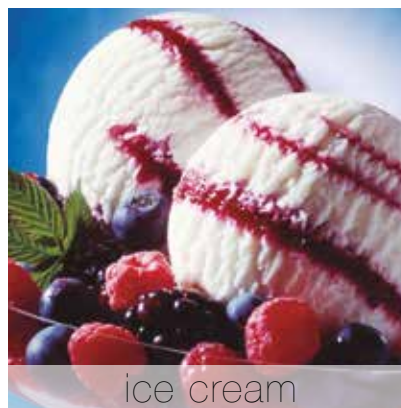
www.qpumps.com

Advantages & Disadvantages of Positive Displacement (Comparing Different Technologies)

For years, Q-Pumps has solved problems and limitations of the different kind of positive displacement pumps. In order to provide efficient solutions, we have developed the new twin screw pump that combines great characteristics to solve a lot of those limitations.

Q-Pumps Twin Screw Pump	Other Pumps
Very soft suspended solids handled without damage	
<p>QTS pump can handle suspended solids without damage (maximum size of the solid 1.5")</p> <p>Constant flow, delicated handle of fluids</p> <p>Low & high speeds (up to 3,000 rpm)</p> 	<p>Can't keep suspended solids intact</p> <p>Rough handling of products</p> <p>High shear (centrifugal & lobulars)</p> <p>Limited high speeds (up to 600 rpm)</p> 
CIP & NPSH	
<p>QTS pump is 100% CIP</p> <p>Totally drainable</p> <p>Ideal to be used as process pump as well as a CIP pump, reducing costs in additional equipment and timing</p> <p>Low NPSH requirement thanks to its high suction capability / Self-priming</p> <p>Handles air up to 60%</p>	<p>Most of positive displacement pumps available in the market are not 100% CIP</p> <p>It is not possible to clean the production line with the same pump</p> <p>Problems loading the pump (reduced suction capability)</p> <p>Higher NPSH requirement</p>
Damage, Wear & Maintenance	
 <p>QTS pump is ideal to handle abrasive products thanks to its improved surfaces</p> <p>Even when running at high pressures, there is no rotor/rotor/body contact</p>	 <p>Wearing out due to abrasive products</p> <p>Chemical damage</p> <p>Overpressure damage</p> <p>Seals damage by dry operation</p> <p>Long maintenance shutdowns</p>
Operation & Performance	
<p>QTS is a silent pump</p> <p>Handles air up to 60%, which eliminate pumps cavitation</p> <p>Reduced product slip</p> <p>No dead zones</p> <p>High flows</p>	<p>Excessive noise and vibration</p> <p>Cavitation when handling low viscosities at high speed</p> <p>Product slip</p> <p>Dead zones</p> <p>Lower flows</p>

Applications...



And many more...

Twin Screw

New QTS Series are 100% sanitary twin screw pumps. It's the newest Q-Pump's creation innovating sanitary positive displacement pumping.

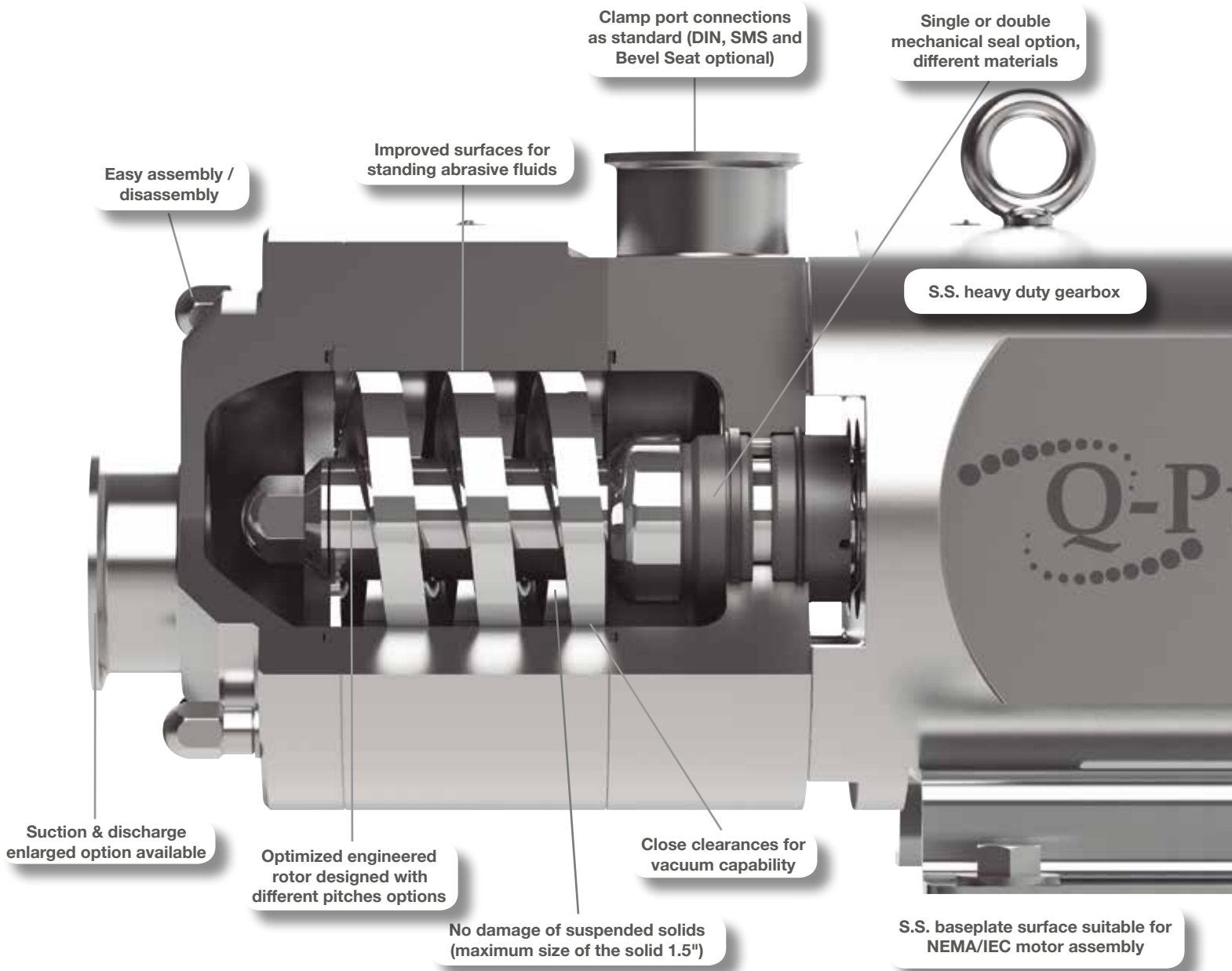
The Ultimate Solution in
Positive Displacement

Characteristics

- 100% Stainless Steel, wet parts made of SS 316L
- Constant flow, virtually pulse-free
- 100% CIP running at high speeds
- Even when running at high pressures, there is no rotor/rotor/body contact
- Speed up to 3,000 rpm (depending on the fluid viscosity)
- Ideal to be used as process pump as well as a CIP pump reducing costs in additional equipment and timing
- Product timing
- Metering
- Low NPSH requirement thanks to its high suction capacity
- Low and high viscosity products (from 1 - 1,000,000 cP)
- Products with up to 60% entrained air
- Ideal for handling abrasive products
- Totally drainable
- Bidirectional
- Self-priming
- Close clearances for vacuum capability
- Meets 3-A & EHEDG (European Hygienic Engineering and Design Group) standards

* Not interchangeable with any other positive displacement pump in the market





Reference Data

Flow: 1,230 GPM / 4,656 LPM

Head Pressure: 693 ft / 211 m / 300 PSI / 20 Bar

Viscosity: 1 to 1,000,000 cP

Max. Temperature: 248° F / 130° C

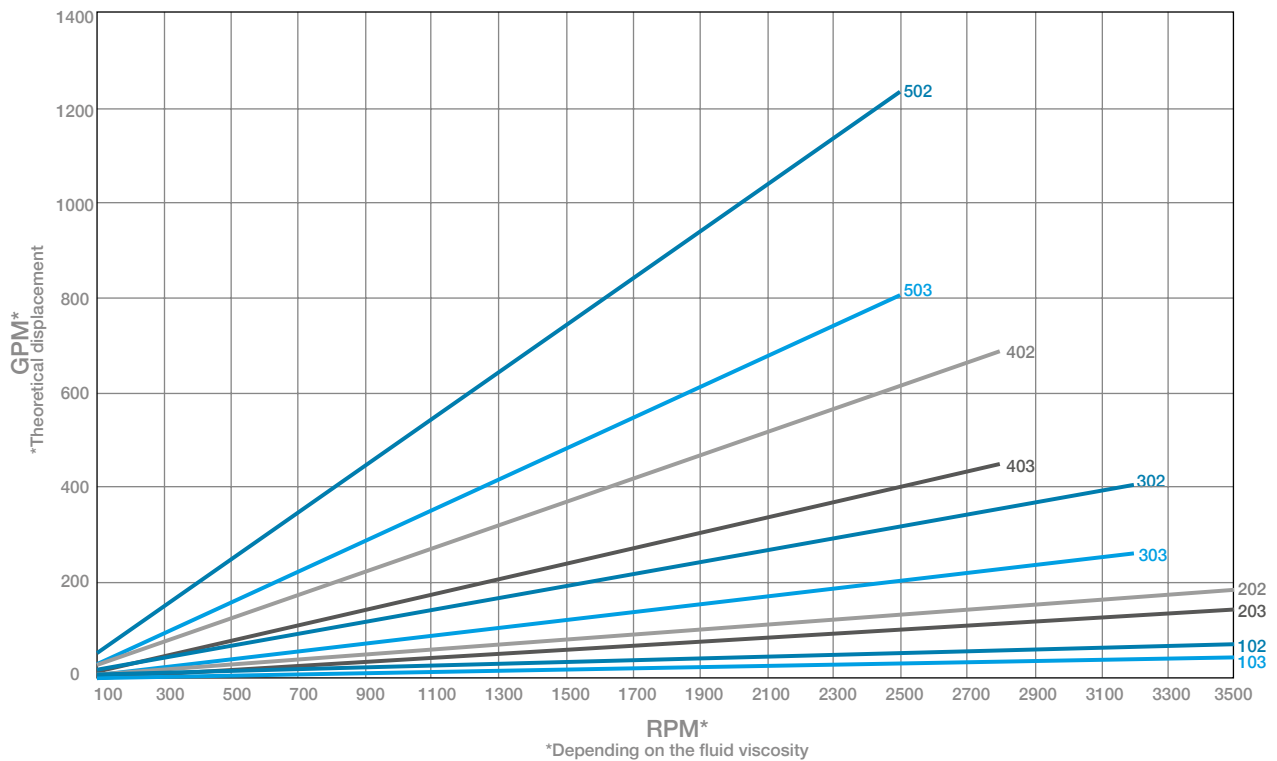


Pump Sizes

QTS	Suction/Discharge Connections	Available
100	1 1/2" x 1 1/2"	Jul 31, 2015
200	2" x 2"	Available
300	2 1/2" x 2 1/2"	Jun 30, 2015
400	4" x 4"	Oct 31, 2015
500	6" x 6"	Jan 31, 2016

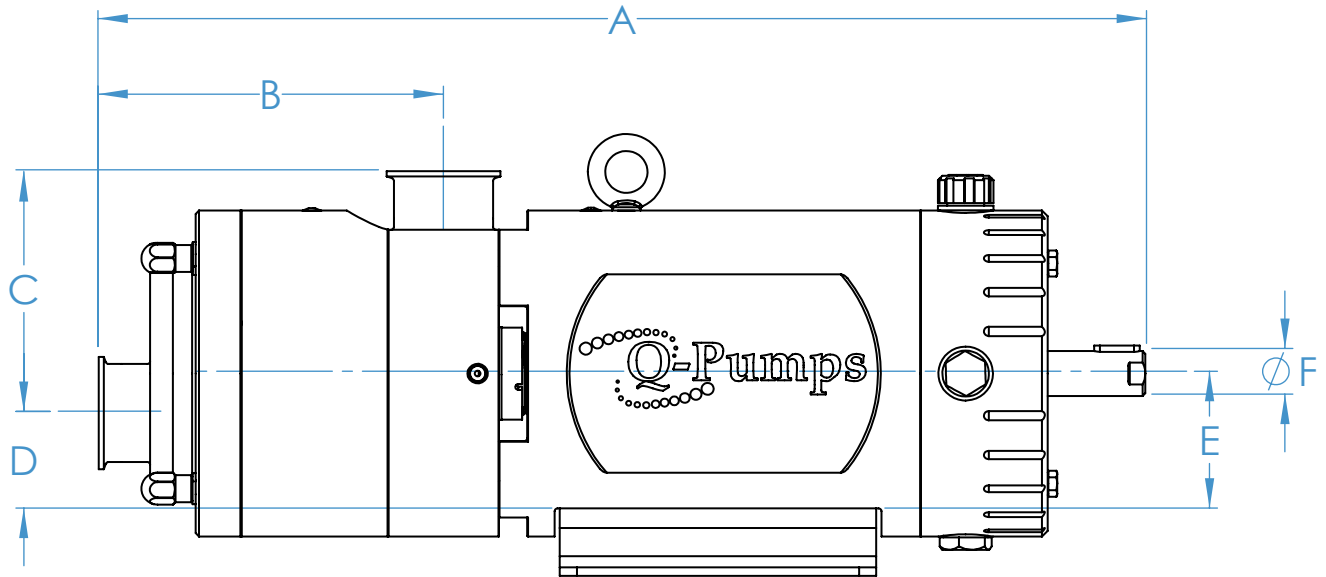
Suction options: 100 (2"), 200 (2", 2 1/2", 3"), 300 (3", 4")

Displacement Curves

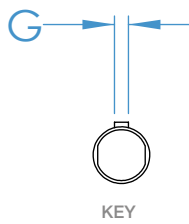


DIFFERENT PITCHES TO HANDLE SOLIDS

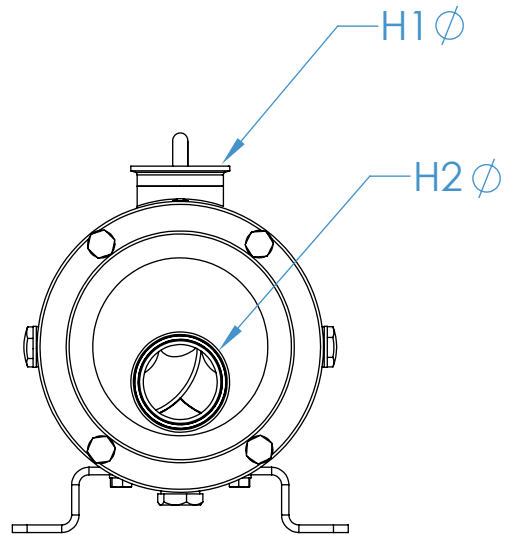
Pump Dimensions



SIDE VIEW



KEY



FRONT VIEW

Pump	Maximum particle size		A		B		C		D		E		F		G		H1		H2	
	in	mm	in	mm	in	mm	in	mm	in	mm	in	mm	in	mm	in	mm	in	mm	in	mm
QTS 100	0.50	12.7	17.35	441	5.43	138	4.56	116	1.83	47	2.57	65	0.71	18	3/16	4.7	1½-1	38.1-25.4	1½-1	38.1-25.4
QTS 200	0.70	17.8	23.00	584	7.57	192	5.38	137	2.12	54	3.00	76	1.00	25.4	1/4	6.3	2-2½	50.8-63.5	2-2½	50.8-63.5
QTS 300	1.00	25.4	29.70	754	9.25	235	7.44	189	3.24	82	4.34	110	1.65	42	3/8	9.5	3-4	76.2-101.6	3-4	76.2-101.6

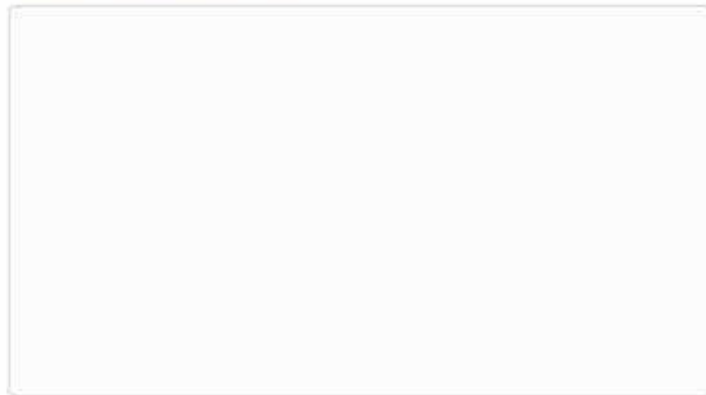
*Standard pump dimensions

** Pump base available in different sizes for NEMA or IEC motor assemblies

QTS Series



Distributed by:



VER. 0115



www.qpumps.com

+52 (442) 103.31.00

sales@qpumps.com